



FROG ENGINEERING

WTC SERIES

**DOUBLE SECTION COM-BOX
WALL TYPE CABINET**





DOUBLE SECTION COM-BOX

Frog Engineering, with the new Double Section COM-BOX series gives a new angle to the understanding of the wall-type cabinet. New Series; design, advanced structural advantages, ease of use of the most importantly with the advantage of unbeatable price advantage has provided superior.



CAPACITY and VARIETY

The new Double Section COM-BOX wall type cabinets have a loading capacity of 80 kg when mounted on the wall. 2 pieces rails are used in D=650mm cabinets. The new Double Section COM-BOX has the width of 600mm and depths of 650mm. The size alternatives are offered as 6U, 9U, 12U, 15U, 18U, 21U, 24U and 26U.



FROG ENGINEERING

WTC DOUBLE SECTION COM-BOX



White (RAL7035)



Black (RAL9005)

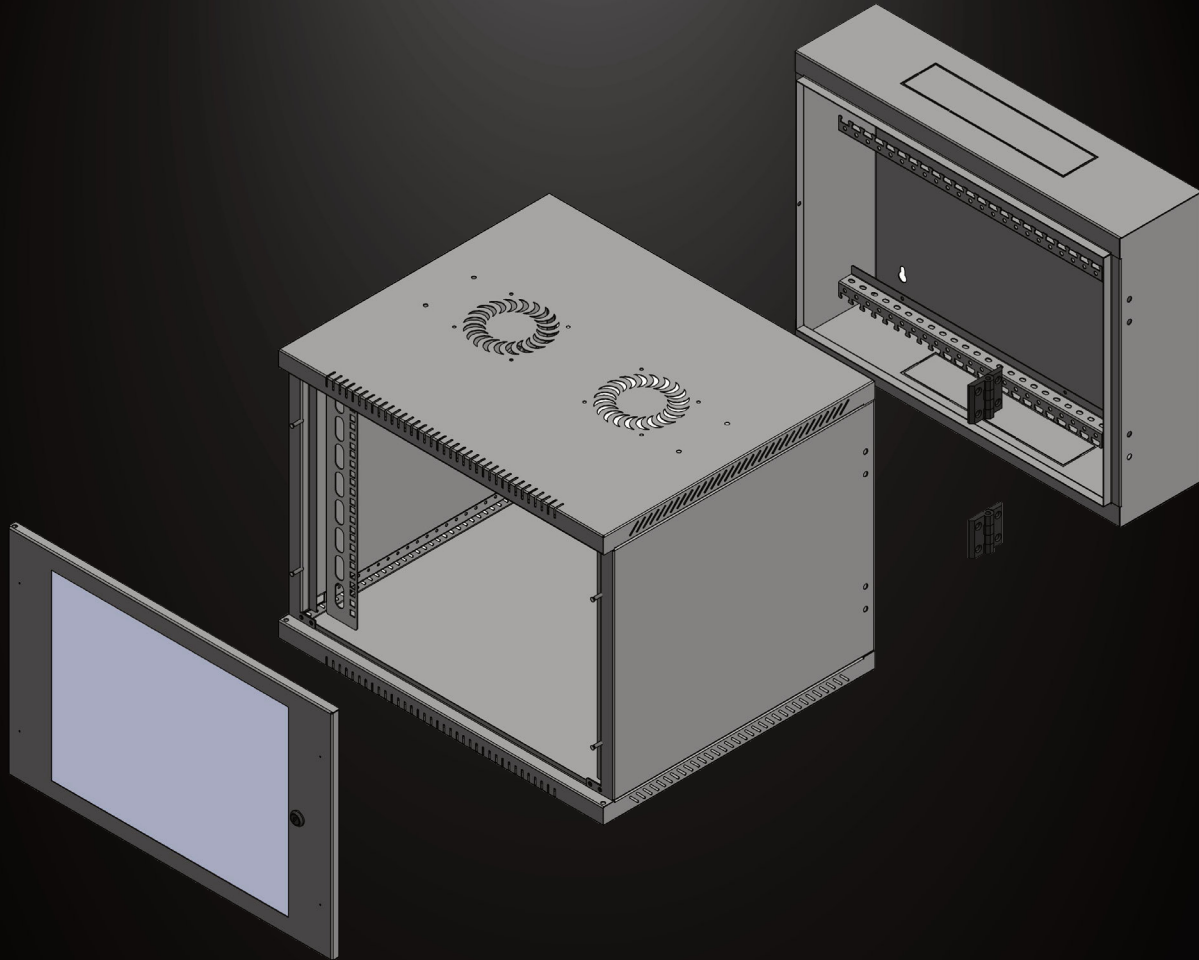
With the new **COM-BOX**, you can determine your own color and make it suitable for your location.





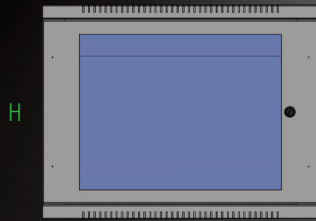
ADDITIONAL CAPACITY

Additional depth capacity of 150mm provided by the Double Section Com-Box Cabinets allows housing of cable harness.

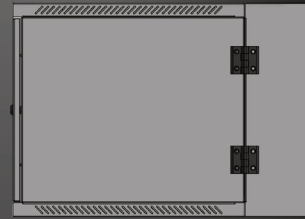


DOUBLE SECTION COM-BOX WALL TYPE CABINETS W=600mm D=650mm

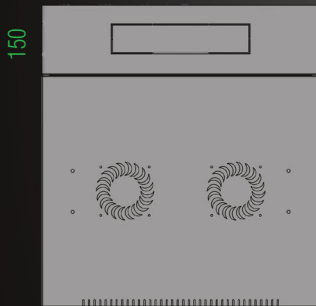
Product Code	Product Description	h Measurement (U)	Product Dimensions WxDxH (mm)	Width Between Rails	At Wall Mounting Hole Gaps (mm)	h Measurement (mm)	Package Dimensions WxDxH (mm)	Number in the Package (pcs)	Product Net Weight (kg)
FE.WTC06U65DB.XX	6U W=600mm D=650mm Add.Body COM-BOX	6U	600x650x330	19"	214	330	610x660x340	1	10,0
FE.WTC09U65DB.XX	9U W=600mm D=650mm Add.Body COM-BOX	9U	600x650x463	19"	347	463	610x660x473	1	12,0
FE.WTC12U65DB.XX	12U W=600mm D=650mm Add.Body COM-BOX	12U	600x650x596	19"	480	596	610x660x606	1	15,0
FE.WTC15U65DB.XX	15U W=600mm D=650mm Add.Body COM-BOX	15U	600x650x730	19"	614	730	610x660x740	1	19,9
FE.WTC18U65DB.XX	18U W=600mm D=650mm Add.Body COM-BOX	18U	600x650x863	19"	747	863	610x660x873	1	26,5
FE.WTC21U65DB.XX	21U W=600mm D=650mm Add.Body COM-BOX	21U	600x650x996	19"	880	996	610x660x1006	1	33,2
FE.WTC24U65DB.XX	24U W=600mm D=650mm Add.Body COM-BOX	24U	600x650x1130	19"	1014	1130	610x660x1140	1	40,8
FE.WTC26U65DB.XX	26U W=600mm D=650mm Add.Body COM-BOX	26U	600x650x1218	19"	1102	1218	610x660x1228	1	49,1



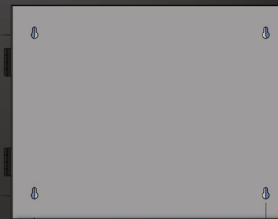
600
FRONT VIEW



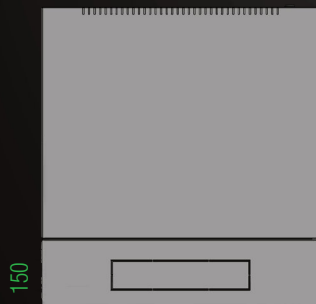
650
SIDE VIEW



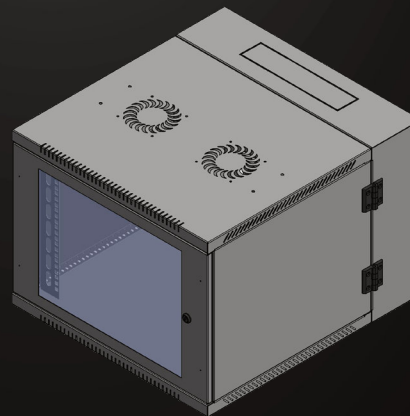
600
TOP VIEW



REAR VIEW



150
BOTTOM VIEW



ISOMETRIC VIEW

LOCKING MECHANISM

The locking mechanism consists of a special support system and an O-Lock mechanism.



WALL MOUNTING

It is easy to hang and mount the cabinet on the wall with 4 screws.



MULTI DIRECTIONAL CABLE INLET

By means of 1 cable entry hole of W=300mm x D=65mm found on the top; and 1 cable entry hole of W=300mm x D=65mm found on bottom, it allows multi directional cable inlet.