



FROG ENGINEERING



DOUBLE SECTION COM-BOX

710x600x600
WALL TYPE

1

www.frogengineering.com



Double section modules are adaptable to all [Com-Box Series Cabinets](#)

ADDITIONAL CAPACITY

Additional depth capacity of 110mm provided by the [Com-Box Cabinets](#) allows housing of cable harness.

MULTI DIRECTIONAL CABLE INLET

By means of 2 brushed cable entry modules of $W=370\text{mm} \times D=45\text{mm}$ found on the top and bottom; it allows multi directional cable inlet.



DOUBLE SIDED OPENABLE

Thanks to its special design, the additional body can be opened from both sides.

MULTI DIRECTIONAL ACCESS

While Com-Box Cabinets provide access from the front and the sides at its standart use, [Additional Compartment](#) applications provide 4 directional access by an extra access point at the back.

LOCK

The locking mechanism consists of a special support system and an O-Lock. An additional body has butterfly lock.





FROG ENGINEERING



Technical Details

Features

19" Compatibility
Double Section
L Support Bracket
Butterfly Lock

Dimensions

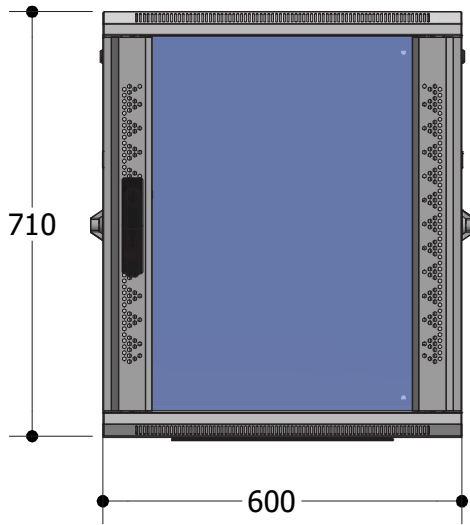
Size : 15U
Width : 600 mm
Height : 710 mm
Depth : 600 mm

Material

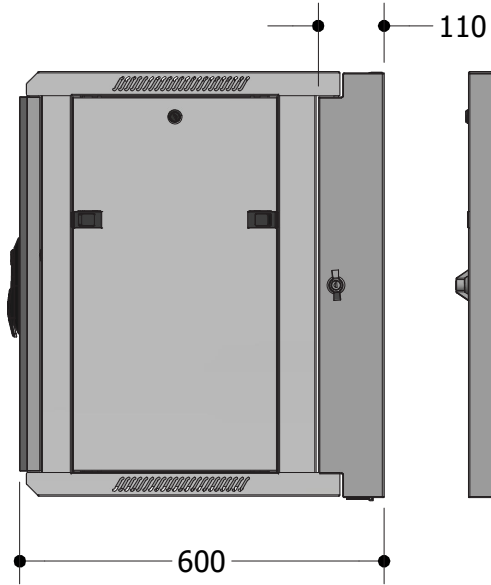
1.2 mm Steel

Appearance

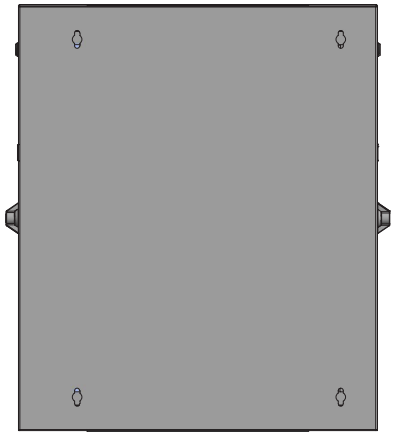
Finish Surface : Powder Coating
Color : RAL9005 or RAL7035



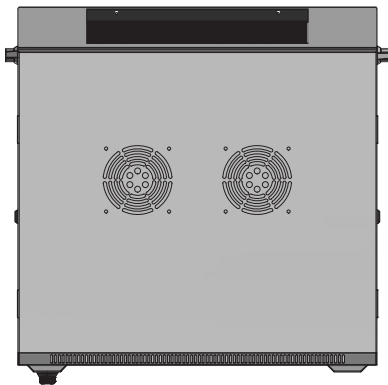
Front View



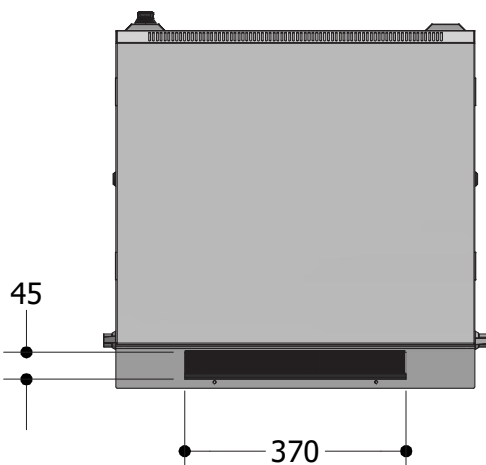
Side View



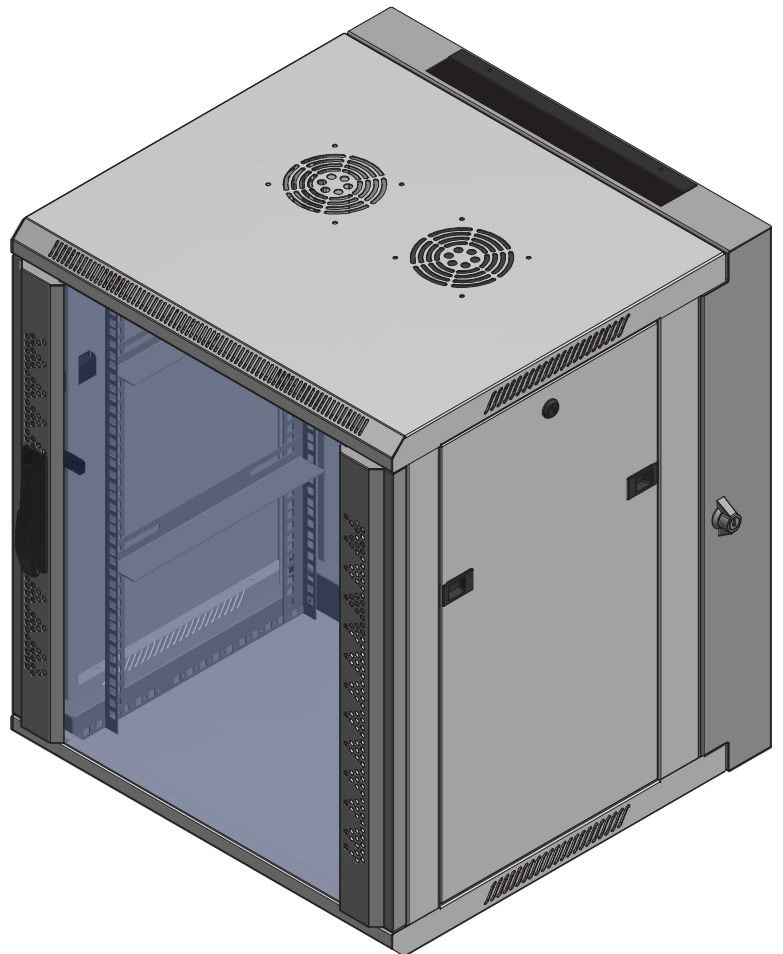
Rear View



Top View



Bottom View



Isometric Front View

